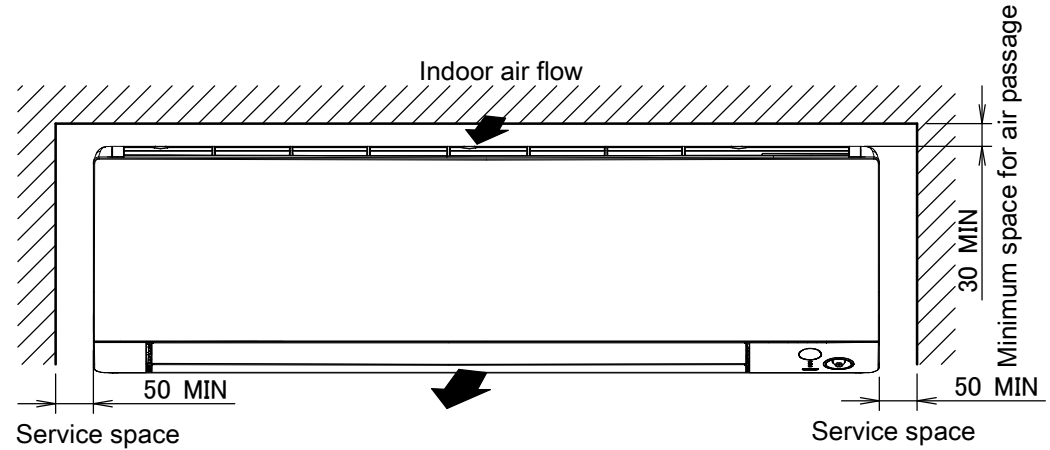
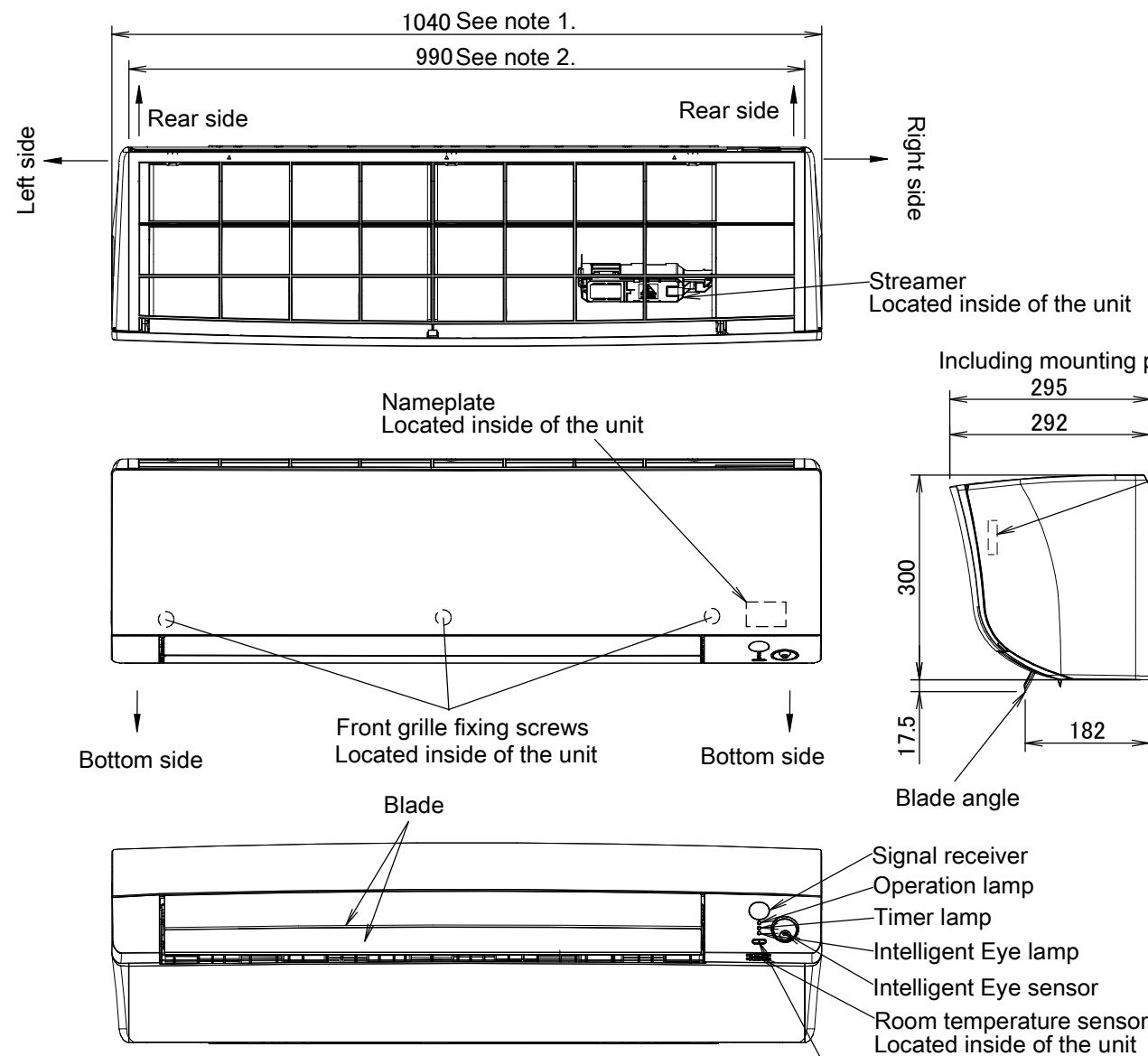
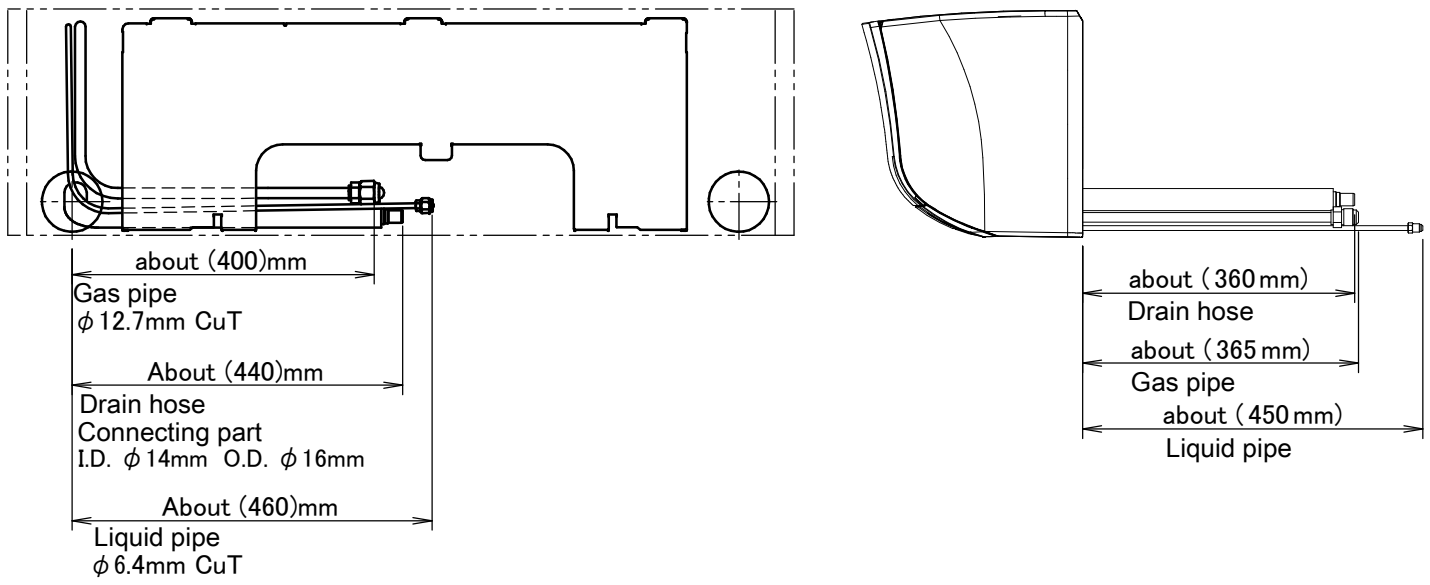


FTXM50-60M

The → mark shows the piping direction.

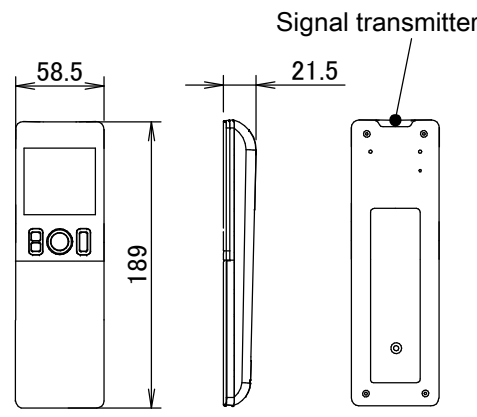


Required space for service and ventilation

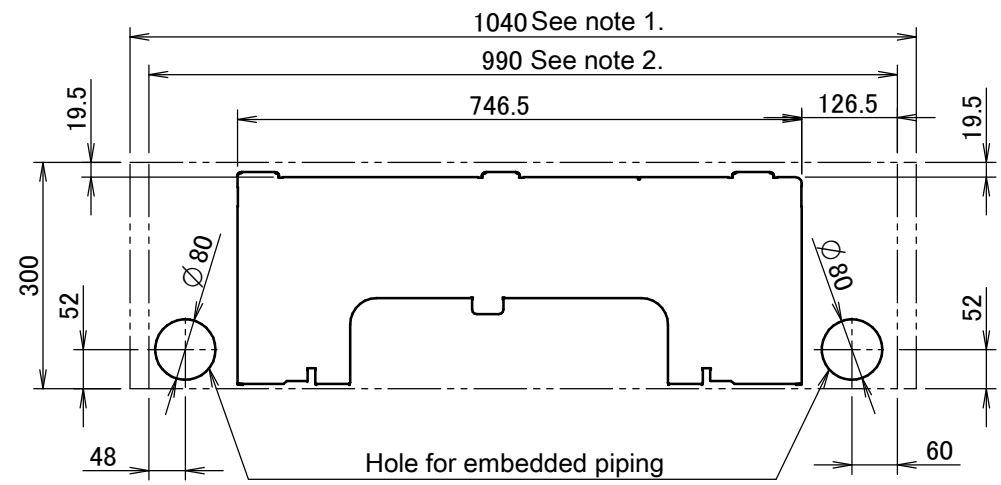
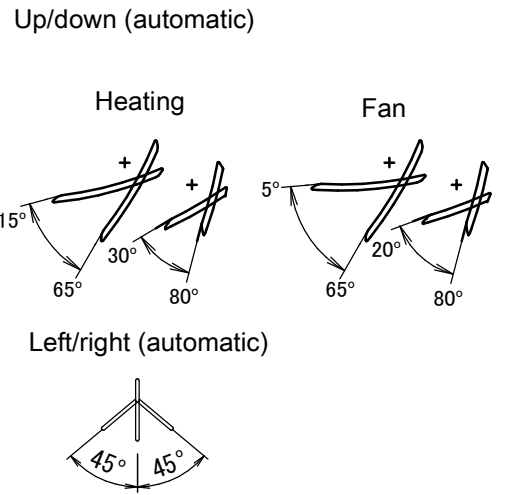


Wireless remote control

(ARC466A33)



Blade angle



Standard location of holes in the wall

Notes

1. Total width of unit
2. Width of unit against the wall